




# CHASSIS PROTECTOR KIT

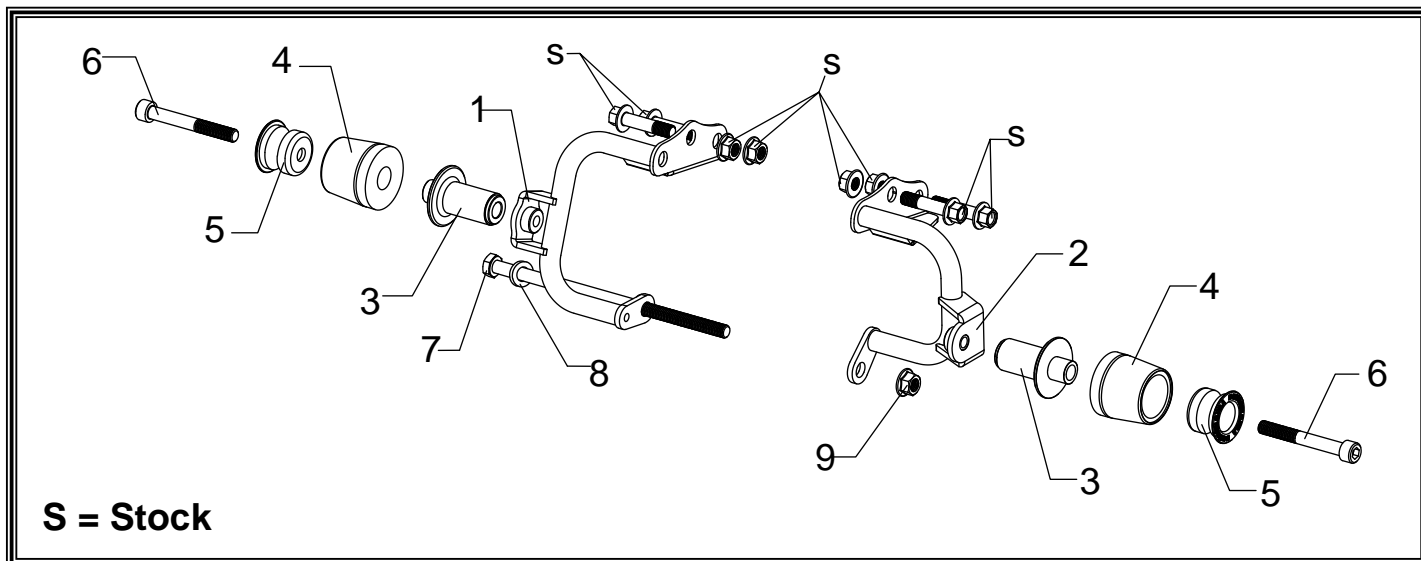
**APPLICATION**

YEAR	MODEL
2013-2014	Kawasaki Ninja 300

**PRODUCT**

040HA147000	Kawasaki Ninja 300 Chassis Protector Kit
-------------	--

 Read through all instructions before beginning installation. Exhaust system can be extremely hot. Let motorcycle cool down before beginning installation. Always wear hand and eye protection and take precautionary measures to avoid injury.



No.	Part #	Description	Qty
1	040BG147000L	Left Chassis Protector Bracket	1
2	040BG147000R	Right Chassis Protector Bracket	1
3	040HA110400SL	Chassis Protector Spacer	2
4	040BG-MS	Chassis Protector	2
5	040HA-MSI-10	Aluminum Insert	2
6	M10X80	10mm x 80mm Socket Head Cap Screw	2
7	M10X1.5X220	10mm x 1.5 x 220mm Hex Head Bolt	1
8	10X20WSH	10mm Washer	1
9	10MMX1.5FNUT	10mm Flange Nut	1
**	17020C	Yoshimura Sticker Sheet	2

**-TOOLS REQUIRED-**

*Metric Socket Set • Combination Wrench Set • Torque Wrench • Metric Allen Wrench Set  
Floor Jack • Power Drill • 1/4" Drill Bit • Rotary Tool*

**-INSTALLATION-**

- 1. Remove lower, left, and right cowling as per Factory Service or Owners Manual.**
- 2. Using a floor jack, lightly support the engine to prevent the engine from dropping after removing the engine mount bolt.**
- 3. Remove the (4) upper engine bracket bolts on the left and right side.  
Note: Stock engine bracket bolts and nuts will be re-used.**
- 4. Remove the stock engine mount bolt.**
- 5. Install left and right Yoshimura chassis protector bracket using the (4) stock engine mount bracket bolts and the (4) stock nuts. See diagram for proper orientation and order of hardware. Torque engine mount bracket bolts to 51 ft-lb (69Nm).**
- 6. Install provided main engine mount bolt, washer, and nut as shown in the parts diagram. Torque engine mount bolt to 51 ft-lb (69Nm).  
Note: Adjust height of floor jack supporting the motor if engine mount holes are misaligned.**
- 7. Using a power drill and a 1/4" drill bit, drill a pilot hole in the center of the circle located on the back side of the side fairing.**
- 8. Reinstall side fairing and check that pilot hole is centered with Yoshimura chassis protector bracket.**
- 9. Carefully open hole using a rotary tool while periodically checking with chassis protector spacer. Widen hole just enough so the spacer clears the fairing.**
- 10. Assemble and install Yoshimura chassis protector using the hardware provided in the kit. See diagram for proper orientation and order of hardware. Torque chassis protector bolt to 36 ft-lb (50Nm).**
- 11. Repeat step 9 & 10 for opposite side.**
- 12. Reinstall lower cowling using the reverse steps of removal.**